

# Assembly & Care Guide

## *Tense Pendant*

The Tense Pendant is carefully made, making every item unique. The material is naturally creased and differences in expression may occur, such as smaller marks and minor deviations.

### SAFETY INSTRUCTIONS

Please read the instructions carefully and keep them for future reference. New Works Aps is not responsible for any faults or damages caused by not following the instructions correctly.

Turn off electricity at the main circuit breaker panel before beginning the installation. Installation is to be carried out only by a qualified electrician. It is important that all wires are connected - when unpacking the box, be careful not to pull wires, as this may result in a bad connection.

This lamp must be permanently wired into the electric system. Different ceiling materials require different types of fittings. Always choose screws and plugs that are suited to the ceiling material.

The lamp is only intended for indoor use. Consult a professionally qualified electrician if any doubt.

Follow the guidance 220-240V~ 50/60Hz - Built in LED 22W.

The light source and lamp exterior may get hot after prolonged use.

Do not subject the lamp to any shock while lit as this may cause the lamp to brake.

Keep the product out of children's reach. Dispose of the packaging and do not allow children to play with it.

Do not modify the product in any way.

### CLEANING

Turn off the electricity before cleaning the lamp. Wipe the lamp shade with a soft dry or moist cloth. Do not use any abrasive cleaning tools, and never use strong cleaning agents such as household glass cleaner, white spirit or turpentine.

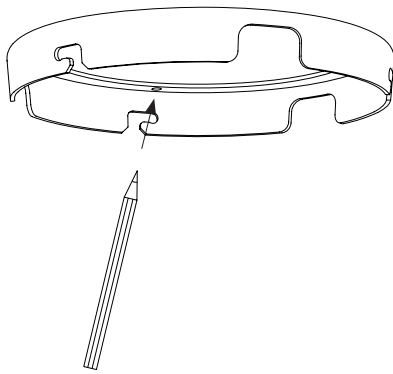
### MORE INFORMATION

For more information such as product overview, material description and disclaimers - please visit our website at **[www.newworks.dk](http://www.newworks.dk)**. If you have any questions or comments, please do not hesitate to contact us at **[info@newworks.dk](mailto:info@newworks.dk)**.

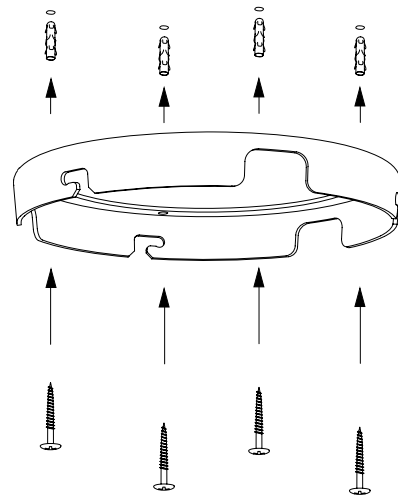
## NEW WORKS.

# Assembly & Care Guide

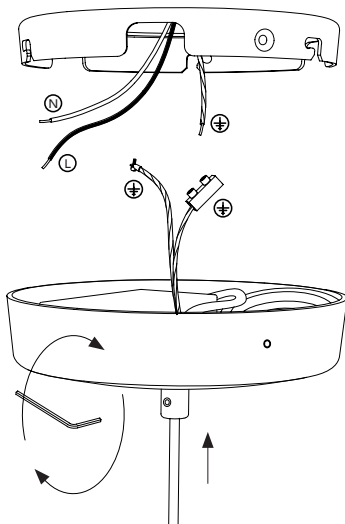
## *Tense Pendant*



1. Place the ceiling fitting in the desired position. Use a pencil to mark the drilling holes.

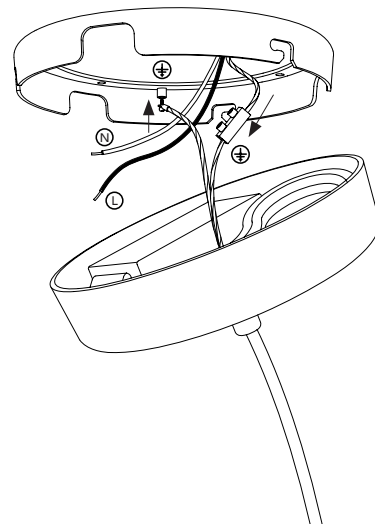


2. Drill holes. Make sure to use plugs and screws appropriate for the ceiling material. Mount the ceiling fitting.



3. Use two fingers to adjust the length of the cord by pushing up or downwards. Roll up the excess cord and place it inside the canopy.

Use the large Hex-key included to secure it.

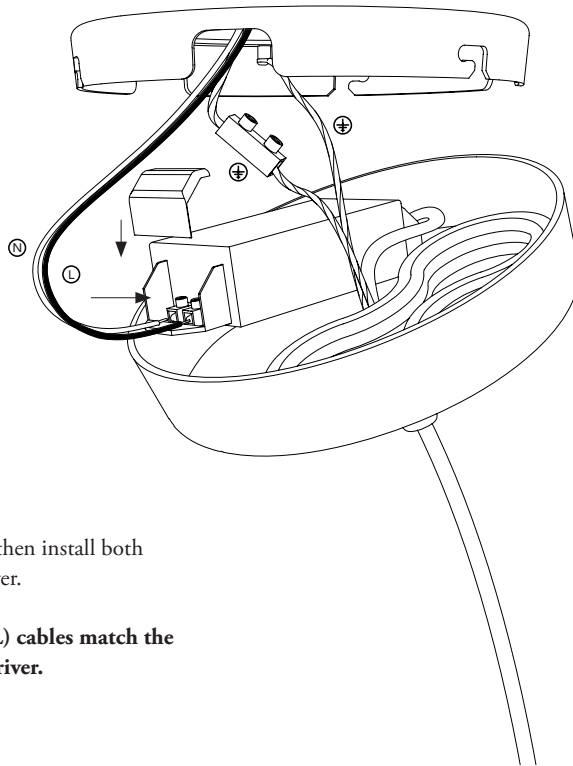


4. Connect the earth cable with the loop to the ceiling frame, and the earth cable with the terminal to the earth cable coming out of the ceiling.

**NEW WORKS.**

# Assembly & Care Guide

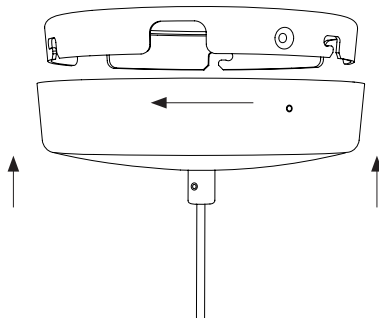
## *Tense Pendant*



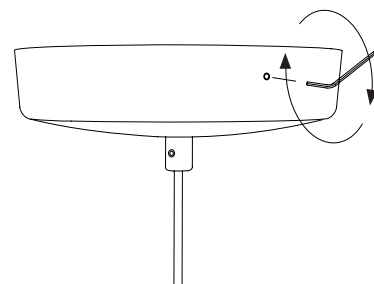
5. To install the cables, remove the green cap, then install both cables, natural (N) and live (L) into the driver.

**Make sure that the natural (N) and live (L) cables match the natural (N) and live (L) symbols on the driver.**

Mount the cap back onto the driver.



6. Slide the canopy over the ceiling fitting. Turn clockwise to lock it.

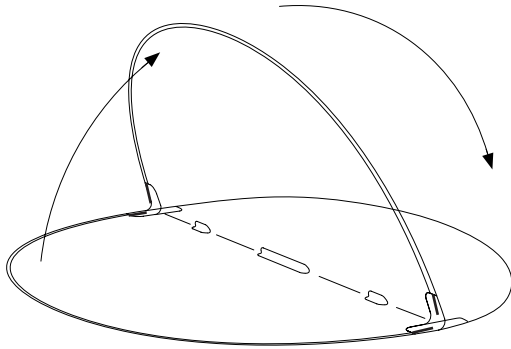


7. Use the small Hex-key included to secure it.

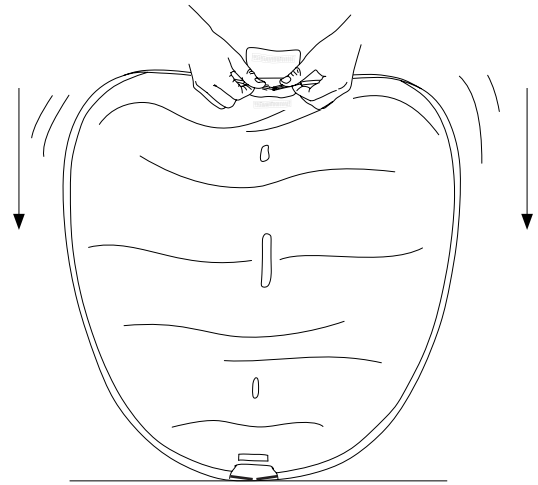
**NEW WORKS.**

# Assembly & Care Guide

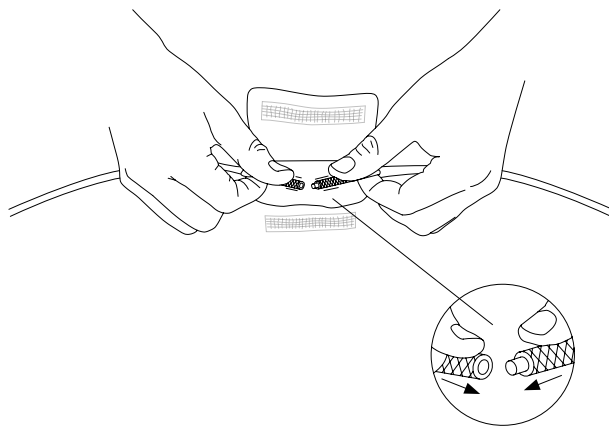
## *Tense Pendant*



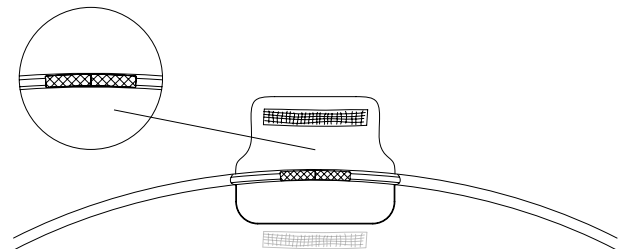
8. Unfold the shade on a flat surface.



9. Stand up while holding the shade. Gently press the shade towards the floor to loosen the tensions.



10. Click the two ends together.

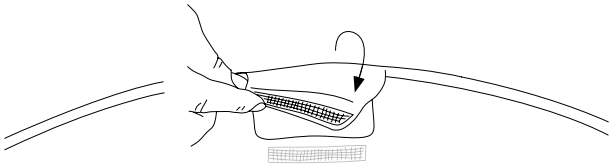


11. Make sure the joint is centered in the opening.

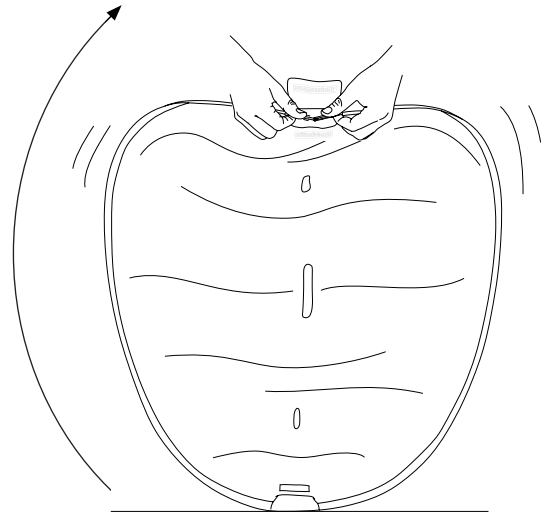
**NEW WORKS.**

# Assembly & Care Guide

## *Tense Pendant*

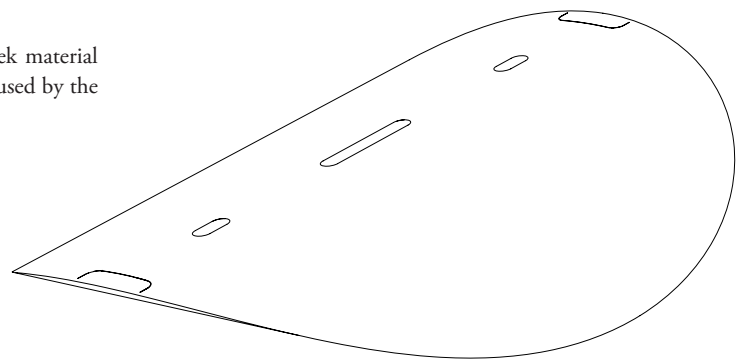


12. Fold the patch over the joint and inside the hole to close it with the velcro fastening.



13. Turn the lamp shade 180 degrees around and repeat steps 9 to 12.

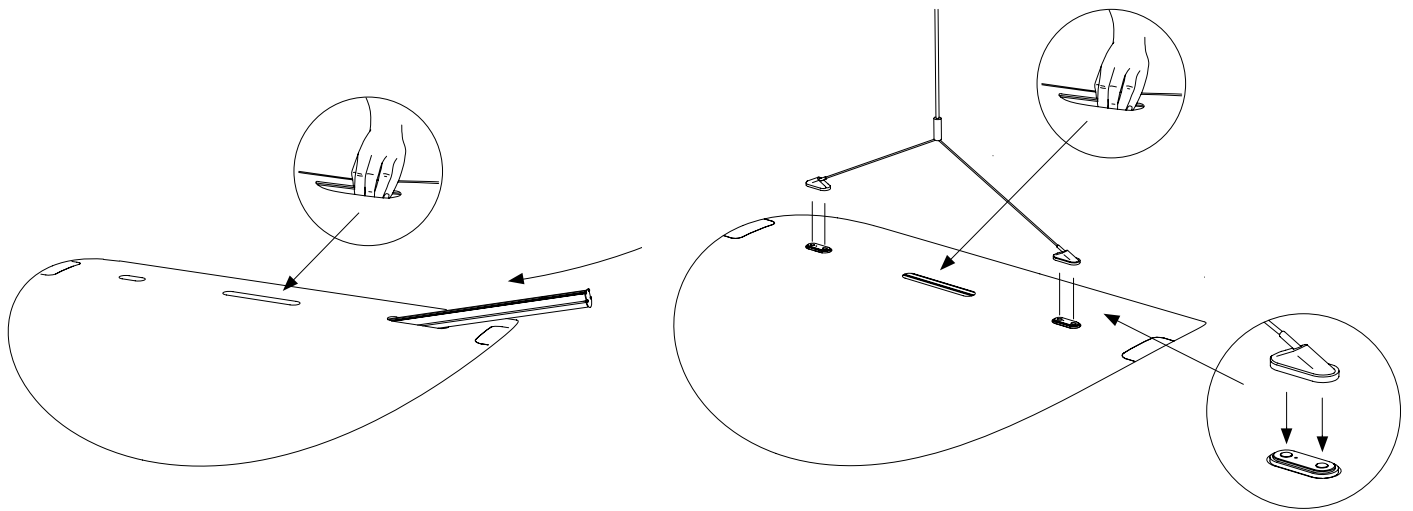
14. The lamp shade is now assembled. The washed Tyvek material has a wrinkled expression, but any larger wrinkles caused by the flat-packaging will minimise over time.



**NEW WORKS.**

# Assembly & Care Guide

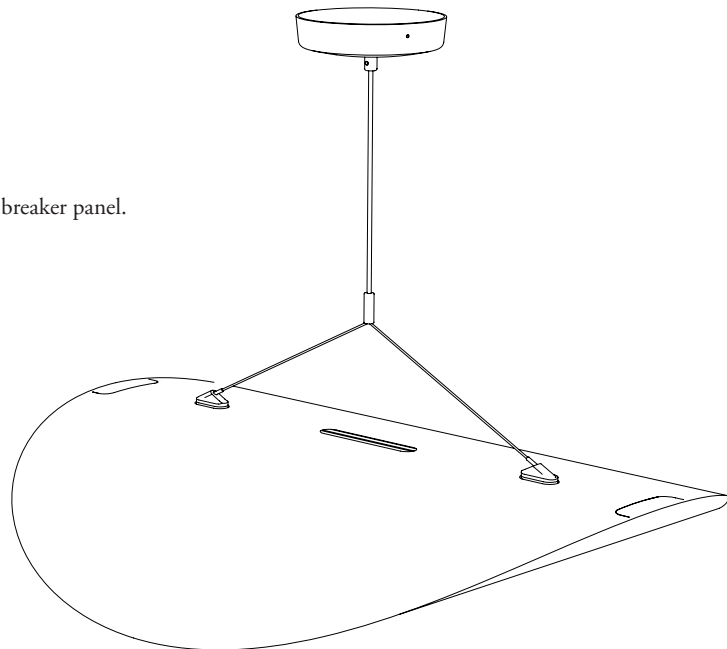
## *Tense Pendant*



15. Slide the light-bar into the shade and grab it through the hole in middle. Make sure it is centered inside the shade.

16. Continue to hold the shade by the light bar while clicking the two cables to the light-bar. Please note that the magnets inside the plugs will repel the light-bar if not installed in the correct direction.

17. Done! Turn on the power at the main circuit breaker panel.



**NEW WORKS.**