



**COPENHAGEN PENDANT SC7**  
(OPAL GLASS)

BY SPACE COPENHAGEN  
2017



# COPENHAGEN PENDANT SC7 (OPAL GLASS)

BY SPACE COPENHAGEN  
2017

**“Our ambition was to design a pendant with a simple industrial feel, but which was still elegant and poetic.”**

The Copenhagen Pendant is an exercise in contrasts. Combining the classic and the modern, the maritime and the industrial, it is a new pendant developed by Space Copenhagen for &tradition. Following the success of their first collaboration, the Fly Lounge Series, &tradition have worked with Space Copenhagen again to produce a pendant range in matt lacquered metal, one of Space Copenhagen’s first lights to enter production.

The Copenhagen Pendant evokes memories of maritime gas lamps silhouetted against a striking nordic sky. With this new addition to the series in matt opal, designers Signe Bindslev Henriksen and Peter Bundgaard Rützou from Space Copenhagen are enhancing the ambient light and the poetic aesthetic appeal.

**“We really love the softness of this satinised matt opal glass in combination with the darkened brass,”** says Henriksen. **“It enhances the sculptural qualities of the shade in such a beautiful and poetic manner. At the same, the semi-transparent shade allows for ambient light for practically any space or occasion.”**

For Rützou, a key factor for the lamp was their desire to create a soft, cosy atmosphere. **“We live in a part of the world where we have long periods with very little light, so it’s in our bones to seek, create and appreciate warm light that glows.”**

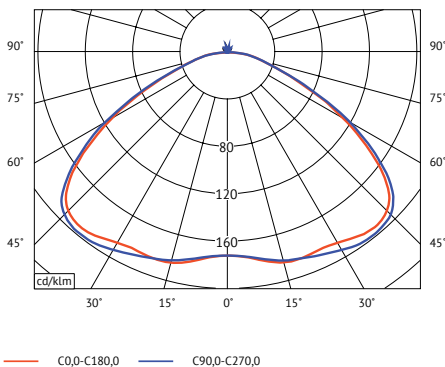
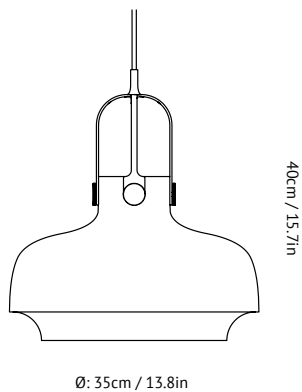
Whether alone or clustered in a group with its siblings in black, white or lacquered pastels, the Copenhagen Pendant makes a modern statement that’s nothing less than stunning. **“It’s a classic icon contemporised,”** adds &tradition Brand Manager Martin Kornbek Hansen. **“It merges the maritime with the industrial in an elegant expression that’s utterly engaging.”**



# COPENHAGEN PENDANT SC7 (OPAL GLASS)

BY SPACE COPENHAGEN  
2017

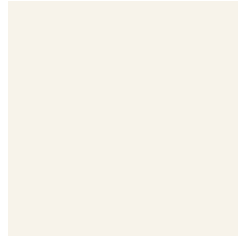
<b>Product category</b>	Pendant
<b>Production Process</b>	The shade is made from mouth-blown opal glass. The suspension is made from milled and laser cut bronzed brass.
<b>Environment</b>	Indoor
<b>Material</b>	Satinized opal glass shade, bronzed brass suspension, 4m black textile cord w. wire.
<b>Dimensions (cm/in)</b>	Ø: 35cm/13.8in, H: 40cm/15.7in.
<b>Weight (kg)</b>	3.5kg
<b>Colours</b>	White satinized opal glass and bronzed brass
<b>Light source &amp; energy efficiency</b>	E27 Max 100 Watt. The luminaire is compatible with bulbs of the energy classes: A++ - E. Bulb is not included.
<b>Voltage</b>	220-240V - 50Hz.
<b>Certifications</b>	CE, IP20, Class II
<b>Canopy</b>	Included
<b>Cord length/diameter (cm/in)</b>	400cm/157.5in.
<b>Cleaning Instructions</b>	Clean with soft dry cloth. Always switch off the electricity supply before cleaning.
<b>Package Dimensions (cm/in)</b>	H: 46cm/18.1in, W: 42cm/16.5in, D: 42.0 cm/16.5in.



PRODUCT



COLOUR



Opal glass