



WORKING TITLE ^{HK1}

BY HARRI KOSKINEN
2017



WORKING TITLE HK1

BY HARRI KOSKINEN

2017

Working Title is the epitome of a table lamp. An elegant expression of a classic design archetype in hand-polished aluminium. Finessed with an added functionality – a dimmer button to let you set the mood or focus fully on the object of your attention.

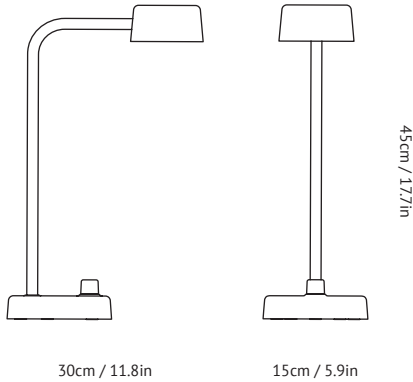
For designer Harri Koskinen, it was the ideal brief. Design the ultimate table lamps of table lamps. Something that would work at home and at the same time, feel at home at work. Given Koskinen's natural proclivity for simple shapes driven by functionality, the challenge involved creating the most convenience with the least amount of extraneous elements.

With Working Title, Koskinen started with the idea of a small sculpture for a table. There were three basic components: a base, a stem and a shade. The question was how to create a harmonious composition with all the elements together as an entity? "To tie it all together I chose a monochromatic material solution: hand-polished aluminium. It makes the lamp more elegant. The smooth surface is pleasing to the eye and to the touch. The circular shape of the base is reflected in the shape of the shade, with a flexible, swivel stem connecting the two."



WORKING TITLE HK1

BY HARRI KOSKINEN
2017



Category	Desk lamp
Production process	The lamp shade, base and dimmer is made from die-cast aluminium. The tube is made from extruded aluminium. The surface of the lamp has been hand polished to give each lamp a unique and distinct character.
Environment	Indoor
Material	Die-cast and extruded aluminium, polycarbonate non-glare diffuser, 2 meter black PVC cable, 24V power supply
Dimensions (cm/in)	H: 45cm/17.7in, L: 30cm/11.8in, W: 15cm/5.9in
Weight (kg)	1.7 kg
Colours	Hand polished aluminium & black PVC cord, Satin polished aluminium & black PVC cord
Functionality	High quality and low energy LED technology. Turning function in base and shade offering high degree of flexibility and functionality. Light intensity operated by generously sized dimmer button on base.
Voltage (V)	220-240V - 50Hz
Light source & energy efficiency class	8 Watt LED. The luminaire is compatible with bulbs of the energy classes: A++ - A. The built-in LEDs cannot be changed in this luminaire.
Light source performance & quality	Light output: 675 lumen, Lumen/watt: 76 lumen, CRI: >90 (True Colour Rendering), Colour temperature (Kelvin): 3000K
Approximate LED life-time	35.000 hours
Certifications	CE, IP20, Class II
Cleaning instructions	Clean with soft dry cloth. Always switch off the electricity supply before cleaning.
Package dimensions (cm/in)	H: 19cm/7.5in, W: 50cm/19.7in, D: 32cm/12.6in

PRODUCT



COLOUR



**Hand polished aluminium
& black PVC cord**



**Satin polished aluminium
& black PVC cord**